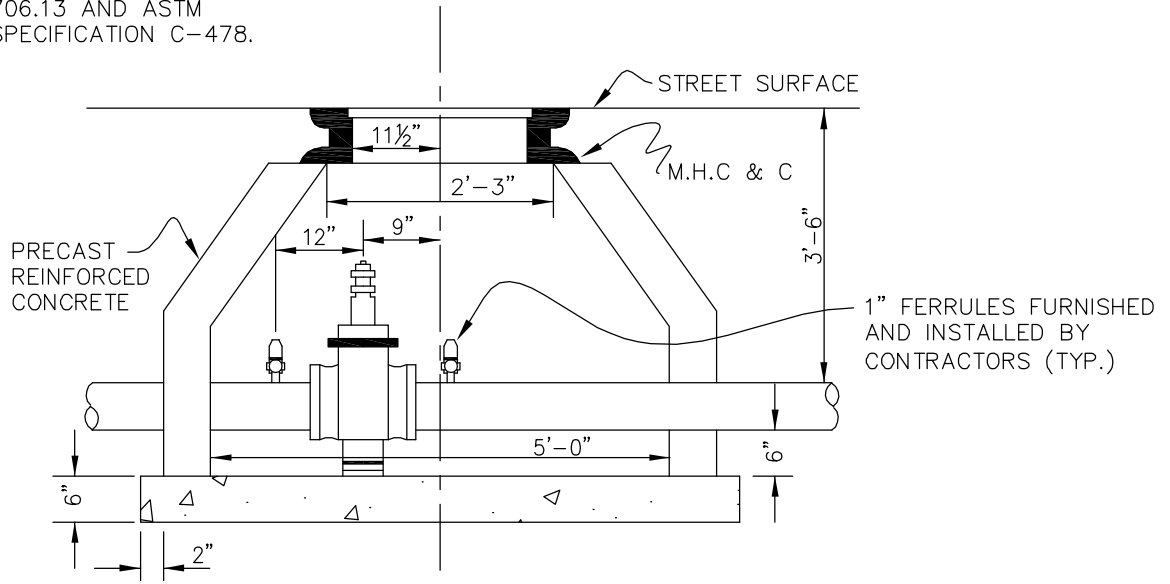
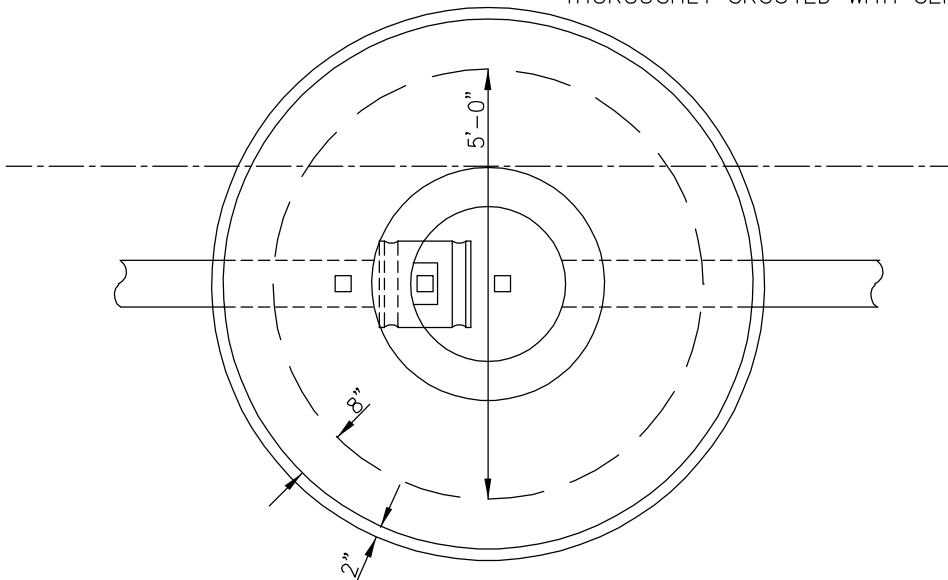


NOTE: PRECAST REINFORCED CONCRETE CHAMBER SHALL MEET ODOT SPECIFICATION 706.13 AND ASTM SPECIFICATION C-478.



SECTION

1. PROVIDE A MINIMUM OF 2- $\frac{1}{2}$ " CLEARANCE BETWEEN PRECAST CHAMBER AND PIPE.
2. $\frac{1}{2}$ " EXPANSION FELT AROUND PIPE THE FULL THICKNESS OF THE CHAMBER WALL.
3. ALL OPENINGS AROUND PIPE SHALL BE THOROUGHLY GROUTED WITH CEMENT MORTAR.



PLAN



VILLAGE OF INDIAN HILL
DEPARTMENT OF WATER WORKS

APPROVED *[Signature]*
DATE November 2011

STANDARD
VALVE CHAMBER

DRAWING NO.

WW-122